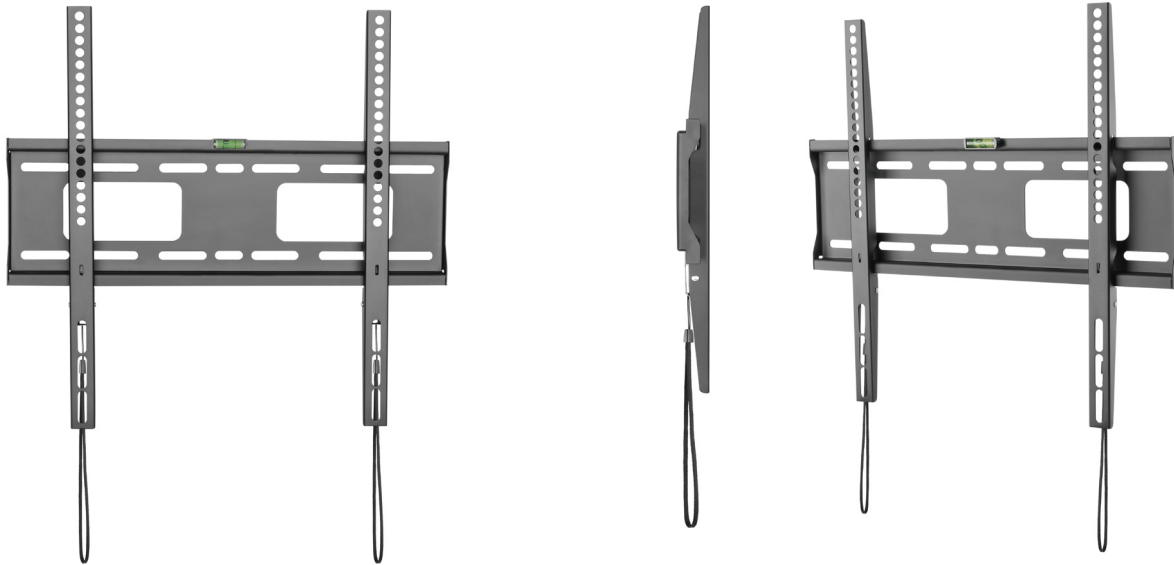


32"-55" display Heavy-duty, fixed wall mount

DELTAACO
A NORDIC BRAND



PRODUCT DATA

Product Category:	Fixed TV Wall Mount
Material:	Steel, Plastic
Metal Sheet Thickness:	Bracket Arm THK=1.5mm cold-rolled sheet, Wall Plate THK=1.5mm cold-rolled sheet (Bracket Arm THK=0.059" cold-rolled sheet, Wall Plate THK=0.059" cold-rolled sheet)
Surface Finish:	Powder Coating
Color:	Matte Black
Dimensions:	448x425x25mm
Fit Curved TV:	Yes
Fit Screen Size:	32"-55"
Mounting Hole Pattern :	VESA & Universal
VESA Compatible:	200x200, 300x300, 400x200, 400x400
Max. VESA:	410x405mm
Weight Capacity:	50kg
Strength Tested:	3 Times Approved
Profile:	25mm
Installation:	Solid Wall, Double Stud(406mm)
Panel Type:	Detachable Panel
Wall Plate Type:	Fixed Wall Plate
Cable Management:	No
Anti-theft:	No
Bubble Level:	Hook-on Bubble Level(Included in Components Package)
Accessory Kit Package:	Compartment Polybag

LOGISTICS DATA

Article number:	ARM-1150
Brand:	DELTAACO
EAN Code:	7333048042934
Country of origin:	China
Custom tariff number:	83024900
Master carton packing unit:	12 pcs
Master carton gross weight:	19.35 kg
Master carton dimensions:	48 x 20.5 x 33 cm
Package type:	Box
Package weight:	1.58 kg
Package dimensions:	46.5 x 15.5 x 3 cm

PACKAGING

Package contents:	Wall mount, mounting kit for wall, mounting kit for display and manual
-------------------	--



-Image may differ from the actual package

Drawing

